

# Orion Energy Systems

## Enclosed Freezer Fixture Series

Orion's patented lighting systems incorporate superior optical and thermal efficiency to deliver the most output with the least input.

**APPLICATIONS** Designed specifically for coolers and freezers.

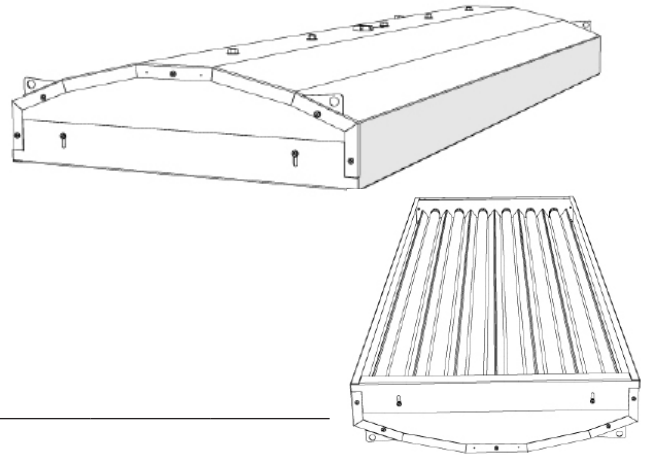
**ELECTRICAL** Pre-wired. Instant and programmed start ballasts available.

**CERTIFICATION** UL Listed.

**FINISH** Aluminum mill finish.

**CONSTRUCTION** Durable aluminum body. Lens included. >90% fixture efficiency.

**REFLECTOR** Patented, optically efficient design provides 95% total reflectance.



ENCF6 shown.

### SPECIFICATIONS

Series	Lamps	Wattage Consumed <sup>1</sup>	Commonly Replaces <sup>2</sup>	Length	Width	Depth
ENCFP / ENCF	4 T8 Lamps	145 @ 277v	250w HID Lamp	48.50"	12.25"	5.75"
ENCFP / ENCF	6 T8 Lamps	218 @ 277v	400w HID Lamp	48.50"	17.50"	5.75"
ENCFP / ENCF	8 T8 Lamps	290 @ 277v	450w HID Lamp	48.50"	22.75"	5.75"
ENCFP / ENCF	4 T5 Lamps	226 @ 277v	400w HID Lamp	46.50"	12.25"	5.75"
ENCFP / ENCF	6 T5 Lamps	340 @ 277v	750w HID Lamp	46.50"	17.50"	5.75"
ENCFP / ENCF	8 T5 Lamps	452 @ 277v	850w HID Lamp	46.50"	22.75"	5.75"
ENCFP / ENCF	10 T5 Lamps	566 @ 277v	1000w HID Lamp	46.50"	28.00"	5.75"

### ORDERING INFORMATION

Series	Number of Lamps	Reflector Options 1	Power Connection	Ballast Type	Ballast Output	Powersource	Transformer	Reflector Options 2	Integral Sensor	Lamp Type
--------	-----------------	---------------------	------------------	--------------	----------------	-------------	-------------	---------------------	-----------------	-----------

Series	Description
<b>ENCFP</b>	Enclosed Freezer Fixture with Platform Connection
<b>ENCF</b>	Enclosed Freezer Fixture with Mate-N-Lok Connection

Reflector Options 1	
<b>HB</b>	Ultra High Bay (T8 only)

Power Connection	
<b>(blank)</b>	Full Switching
<b>HW</b>	Hardwire

Ballast Output	
T8 Lamps	
<b>(blank)</b>	High (1.15 BF)
<b>NX</b>	Normal Plus* (1.00 BF)
<b>N</b>	Normal* (0.87 BF)
<b>LP</b>	Low* (0.77 BF)
T5 Lamps	
<b>(blank)</b>	Normal (1.00 BF)

\*Not available with T8 347v Instant Start ballast

Reflector Options 2	
<b>(blank)</b>	High Bay
<b>LB</b>	Low Bay (T8 only)

Integral Sensor	
<b>(blank)</b>	No Integral Sensor
<b>WS</b>	Integral Sensor

Number of Lamps	
<b>4</b>	4-Lamp T8
<b>6</b>	6-Lamp T8
<b>8</b>	8-Lamp T8
<b>4T5</b>	4-Lamp T5
<b>6T5</b>	6-Lamp T5
<b>8T5</b>	8-Lamp T5
<b>10T5</b>	10-Lamp T5

Ballast Type			
T8 Ballast		T5 Ballast <sup>1</sup>	
<b>(blank)</b>	UNV Instant Start	<b>(blank)</b>	UNV Programmed Start
<b>PS</b>	UNV Programmed Start	<b>347</b>	347v Programmed Start*
<b>PI</b>	1 UNV Programmed Start, 1 UNV Instant Start	<b>480</b>	480v Programmed Start*
<b>BB</b>	Battery Back-up	<b>BB</b>	Battery Back-up
<b>0</b>	UNV Osram	*Ballast may be from Osram or Universal <sup>1</sup> T5 Ballasts are Programmed Start only	
<b>277</b>	277v Instant Start*		
<b>347</b>	347v Instant Start*		
<b>BB</b>	Battery Back-up		
<b>PSFD</b>	Programmed Start Full Dimming		

Powersource	
<b>(blank)</b>	Full Switching
<b>DS</b>	Dual Switching
<b>DO</b>	Dual Option

Transformer	
<b>(blank)</b>	No Internal Transformer
<b>TF</b>	Internal Transformer, 480v

Lamp Type			
T8 Lamps		T5 Lamps	
<b>(blank)</b>	850 Lamps*	<b>850</b>	850 Lamps
<b>841</b>	841 Lamps*	<b>830</b>	830 Lamps
<b>NL</b>	No Lamps	<b>835</b>	835 Lamps
		<b>841</b>	841 Lamps
		<b>NL</b>	No Lamps

\*Add "HL" to Lamp Type prefix for High Lumen. Add "SR" to Lamp Type prefix for Shatter Resistant. Add "HLSR" to Lamp Type prefix for High Lumen Shatter Resistant.



877.204.7540

www.oesx.com

NYSE Amex: OESX

© 2012 Orion Energy Systems, Inc. All rights reserved. Light Years Ahead and Orion are trademarks/service marks of Orion Energy Systems Inc. Design modification rights reserved. Orion fixtures are covered by a one-year limited warranty. Accessories and individual components are covered by separate OEM supplier warranties.



02 / 23 / 2012