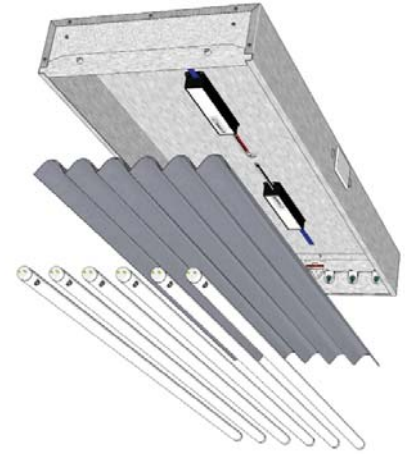


# Orion Energy Systems

## Surface Mount Freezer Fixture Series

Orion's patented lighting systems incorporate superior optical and thermal efficiency to deliver the most output with the least input.



SMF6 shown.

### APPLICATIONS

Superior performance in interior environments that require surface mounting.

### CONSTRUCTION

Durable aluminum frame. Flat top for surface mounting. Twist lock lamp holders. >90% fixture efficiency.

### CERTIFICATION

UL Listed.

### ELECTRICAL

Hardwire on side (standard). Instant and programmed start ballasts available.

### FINISH

Slide-in lens standard.

### REFLECTOR

Patented, optically efficient design provides 95% total reflectance.

## SPECIFICATIONS

| Series | Lamps     | Wattage Consumed | Length | Width  | Depth |
|--------|-----------|------------------|--------|--------|-------|
| SM     | 4 Lamp T8 | 145 @ 277v       | 48.5"  | 12.25" | 5.0"  |
| SM     | 6 Lamp T8 | 215 @ 277v       | 48.5"  | 17.5"  | 5.0"  |
| SM     | 8 Lamp T8 | 290 @ 277v       | 48.5"  | 22.75" | 5.0"  |

\*480v fixtures internal transformer adds 2 lbs

## ORDERING INFORMATION

| SMF    | XX              | XX          | XX           | XX        | XX        | XX             |
|--------|-----------------|-------------|--------------|-----------|-----------|----------------|
| Series | Number of Lamps | Powersource | Ballast Type | Reflector | Lamp Type | Sensor Options |

| Series     |                               |
|------------|-------------------------------|
| <b>SMF</b> | Surface Mount Freezer Fixture |

| Powersource    |                |
|----------------|----------------|
| <b>(blank)</b> | Hardwire       |
| <b>DS</b>      | Dual Switching |

| Ballast Type   |                                     |
|----------------|-------------------------------------|
| <b>(blank)</b> | Instant Start                       |
| <b>PS</b>      | Programmed Start                    |
| <b>PI</b>      | 1 Programmed Start, 1 Instant Start |
| <b>BB</b>      | Battery Back-up                     |
| <b>LP</b>      | Low Power Ballast                   |
| <b>347</b>     | 347v Ballast*                       |
| <b>N</b>       | Normal Power Ballast                |
| <b>O</b>       | Osram Ballast                       |

| Reflector      |                 |
|----------------|-----------------|
| <b>(blank)</b> | Miro-4 High Bay |
| <b>LB</b>      | Low Bay         |
| <b>HB</b>      | Ultra Highbay   |

| Lamp Type      |                              |
|----------------|------------------------------|
|                | T8 Lamps                     |
| <b>(blank)</b> | 850 Lamps*                   |
| <b>841</b>     | 841 Lamps*                   |
| <b>NL</b>      | No Lamps                     |
| <b>HL</b>      | High Lumen                   |
| <b>SR</b>      | Shatter Resistant            |
| <b>HLSR</b>    | High Lumen/Shatter Resistant |

| Number of Lamps |           |
|-----------------|-----------|
| <b>4</b>        | 4-Lamp T8 |
| <b>6</b>        | 6-Lamp T8 |
| <b>8</b>        | 8-Lamp T8 |

| Sensor Options |                      |
|----------------|----------------------|
| <b>(blank)</b> | No Detachable Sensor |
| <b>S</b>       | Detachable Sensor    |

\*347 ballast requires longer lead time.



877.204.7540

www.oesx.com

NYSE Amex: OESX

© 2011 Orion Energy Systems, Inc. All rights reserved. Light Years Ahead and Orion are trademarks/service marks of Orion Energy Systems Inc. Design modification rights reserved. Orion fixtures are covered by a one-year limited warranty. Accessories and individual components are covered by separate OEM supplier warranties.

07 / 05 / 2011

