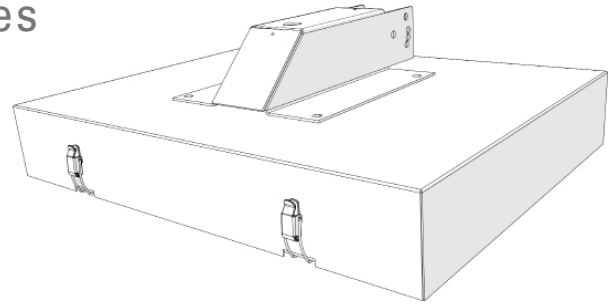


Orion Energy Systems

XT Exterior Lighting Fixture Series

Reduce your energy waste and maintenance costs by implementing energy efficient exterior lights by Orion. The optically and thermally efficient designs utilize proven T5 fluorescent technology to provide a brighter light with superior lumen maintenance, improving safety and visibility.



APPLICATIONS Ideal in general exteriors, parking lots, and roadways.

CERTIFICATION UL Listed for Wet Locations. IDA approved dark sky friendly fixture (unless tilted).

CONSTRUCTION Durable, powder coated galvalume steel housing with polycarbonate lens. Tool-less maintenance. Closed cell foam gasket. Venting technology equalizes pressure fluctuations caused by temperature changes, reducing the chance of moisture infiltration. Mounting bracket included with each fixture.

ELECTRICAL T5 programmed start ballast with dual switching standard for 120v-277v. Includes attached whip for hardwiring.

FINISH Standard finishes are available in black, bronze, gray, and milk white and carry an Akzo Nobel 5 year limited warranty. Custom finishes are also available.

OPTICS Patented, optically efficient high bay design provides 95% total reflectance with Miro-4 optics and 92% total reflectance with white optics. Patented, optically efficient forward throw design provides 92% total reflectance with Miro-9 optics.

SPECIFICATIONS

Existing HID	Orion XT Series Exterior Fixture					
Lamp Watts	Replace With	Fixture Watts at 277v	Length	Width	Height	Weight (lbs)*
250w	2FT, 2 Lamp, High Bay	53	23.55"	14.00"	3.74"	18.9
	2FT, 3 Lamp, High Bay	80	23.55"	14.00"	3.74"	20.1
	2FT, 2 Lamp, Forward Throw	53	23.55"	14.00"	3.74"	18.6
	2FT, 3 Lamp, Forward Throw	80	23.55"	14.00"	3.74"	19.8
	2FT, 4 Lamp, High Bay	105	23.55"	14.00"	3.74"	20.9
400w	2FT, 6 Lamp, High Bay	160	23.55"	17.75"	3.74"	24.8
	2FT, 4 Lamp, Forward Throw	105	23.55"	17.75"	3.74"	23.6
	4FT, 3 Lamp, Forward Throw	185	47.15"	14.00"	3.74"	32.5
	4FT, 4 Lamp, High Bay	226	47.15"	14.00"	3.74"	33.9
	4FT, 4 Lamp, Forward Throw	226	47.15"	17.75"	3.74"	38.7
	4FT, 6 Lamp, High Bay	340	47.15"	17.75"	3.74"	40.1

* Weight includes fixture, mounting bracket, and lamps.

Note 1: Fixture watts vary depending on ballast factors and system voltages. Additionally, Orion recommends using more conservative replacement numbers if replacing newer technology. Always complete a field survey to determine the best configuration for your lighting needs.

Note 2: 480v transformer adds 3.5 lbs on 2ft models only and increases energy consumption by approximately 5%.

AVAILABLE OPTIONS*

Number of Lamps	Fixture Length	Voltage	Connection Type	Optics	Lamp Type	Finish
2-Lamp T5	2 Foot Fixture	120v-277v	Dual Switched	Miro-4 High Bay	3000°K	Black
3-Lamp T5	4 Foot Fixture	480v	Full Switched	White High Bay	3500°K	Bronze
4-Lamp T5				Miro-9 Forward Throw	4100°K	Gray
6-Lamp T5					5000°K	Milk White

* All options may not be available for each lamp configuration. Consult Orion to determine which options are suitable for your specific application.



877.204.7540

www.oesx.com

NYSE Amex: OESX

© 2012 Orion Energy Systems, Inc. All rights reserved. Light Years Ahead and Orion are trademarks/service marks of Orion Energy Systems Inc. Design modification rights reserved. Orion fixtures are covered by a one-year limited warranty. Accessories and individual components are covered by separate OEM supplier warranties.



04 / 27 / 2012